

# 13744176 Entrance to Bethlehem Archway Instructions

©2016 Oriental Trading Company, Inc.

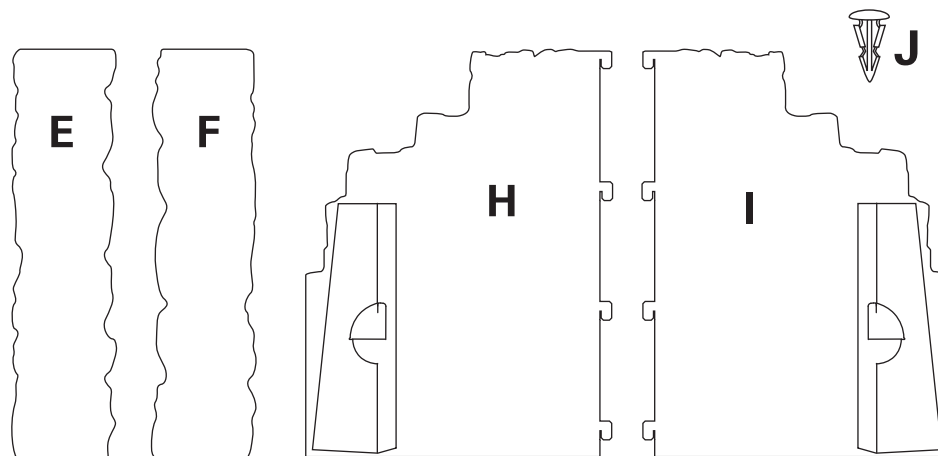
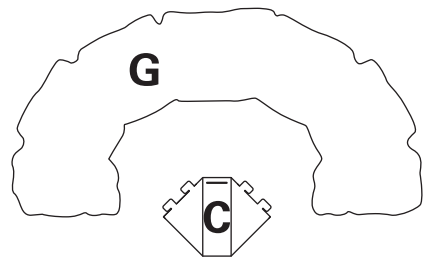
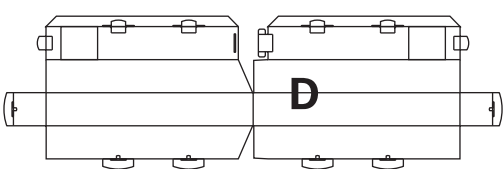
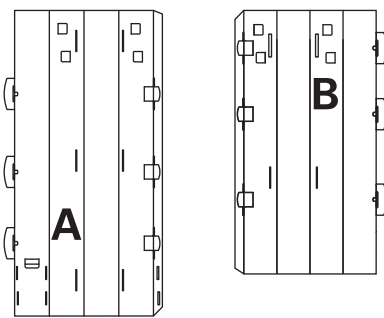
OrientalTrading.com (800)-228-2269

## BEFORE YOU BEGIN ASSEMBLY:

- Check that all materials are included in your kit.
- Please read through the instructions before you begin assembly.
- Make sure that your work area is spacious enough to assemble the item.
- Assembly time should be about 30 minutes for two people.

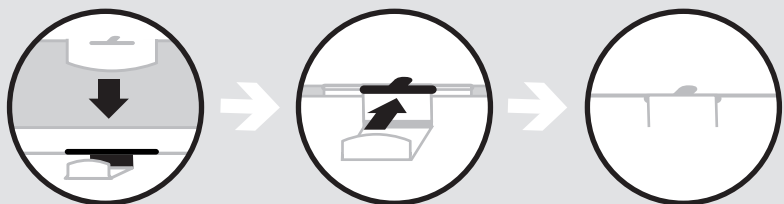
## COMPONENTS INCLUDED

- QTY. 2 A) FRAME BOTTOM POST  
 QTY. 2 B) FRAME TOP POST  
 QTY. 2 C) FRAME POST BRACE  
 QTY. 1 D) FRAME CROSS ANGLE BEAM  
 QTY. 1 E) LEFT SIDE BRICK COLUMN  
 QTY. 1 F) RIGHT SIDE BRICK COLUMN  
 QTY. 1 G) BRICKTOP ARCH  
 QTY. 1 H) LEFT SIDE BRICK WALL WITH 36" EASEL  
 QTY. 1 I) RIGHT SIDE BRICK WALL WITH 36" EASEL  
 QTY. 16 J) SMALL PLASTIC PLUGS



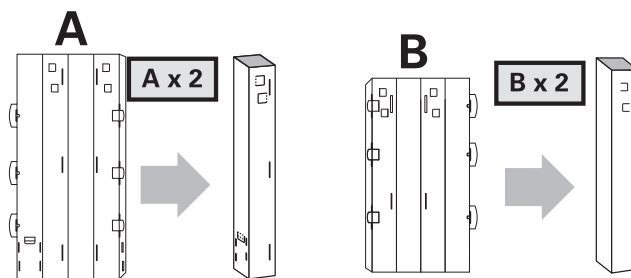
## HELPFUL TIPS:

- When folding the pieces make sure the print is facing outward.
- Follow the diagram below to insert and close the tab openings.



## STEP 1:

Fold piece A into a box shape and secure the tabs.

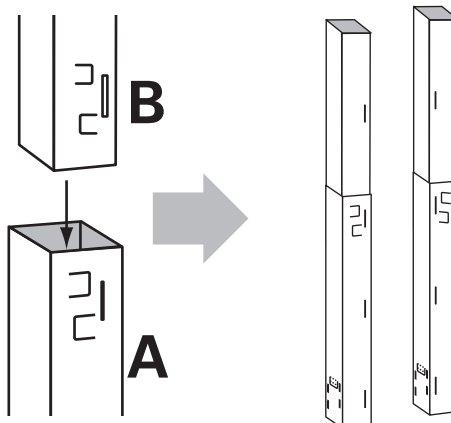


Fold piece B into a box shape and secure the tabs.

Repeat to make a total of two each.

## STEP 2:

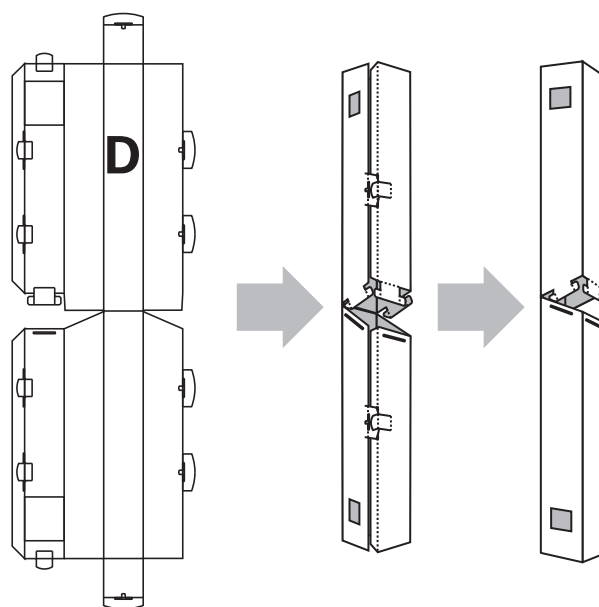
Insert B into the top of A to create a post. Line up the side tabs and push them inward to secure the post together.



Repeat to make a total of two.

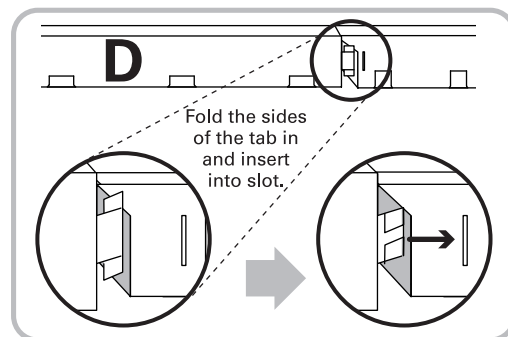
## STEP 3:

Fold piece D into a box shape and secure the tabs along the sides.



## STEP 4:

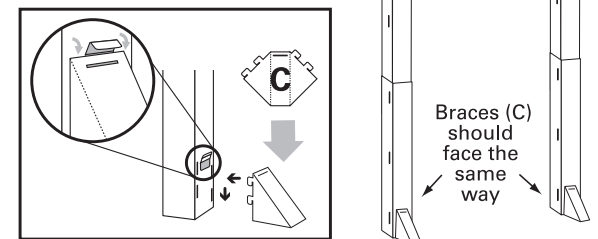
At the center of D, fold the sides of the center tab inward. Insert the tab into the slit on the adjacent attached piece.



Be sure the sides of the tab release to securely hold the beam together.

## STEP 5:

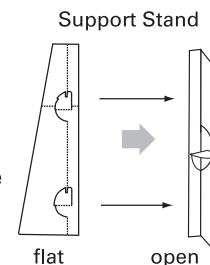
Fold C to create a triangular box shape. Lift up the flap on the bottom of the post and insert the tabs of C into the slits. Slide C down and insert the flap to secure it into place. Repeat on other post.



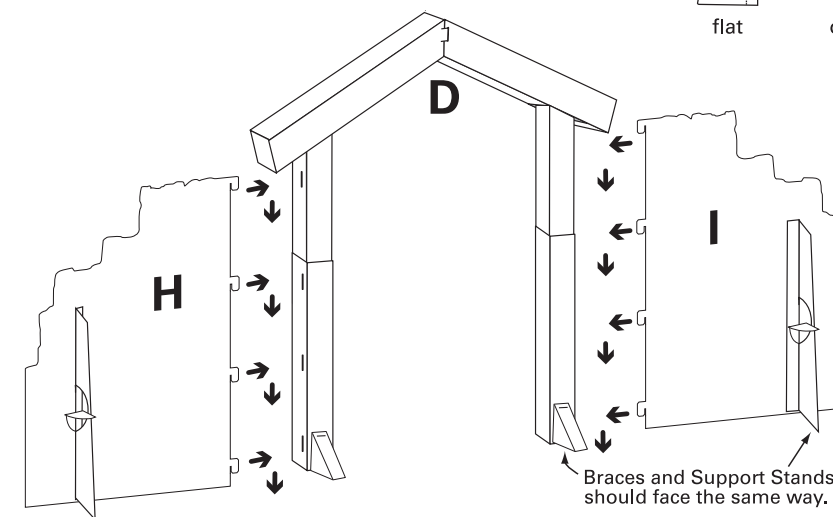
Inset both posts into D. Make sure the braces on the bottom of the posts are facing the same direction as shown.

## STEP 6:

Fold out the support stand on the back of H and I. Fold down the cardboard notches to lock the stands into place.



Insert H and I into the slits on the side of the posts as shown making sure the support stands and braces are facing the same way. Once inserted, slide downward to lock them into place.



## STEP 7:

Using the Plastic Plugs (J) attach pieces E, F, G, H and I as shown.

## Your Archway is now finished!

Enjoy your new Archway! Use it as a display piece or as part of a larger scene.

