


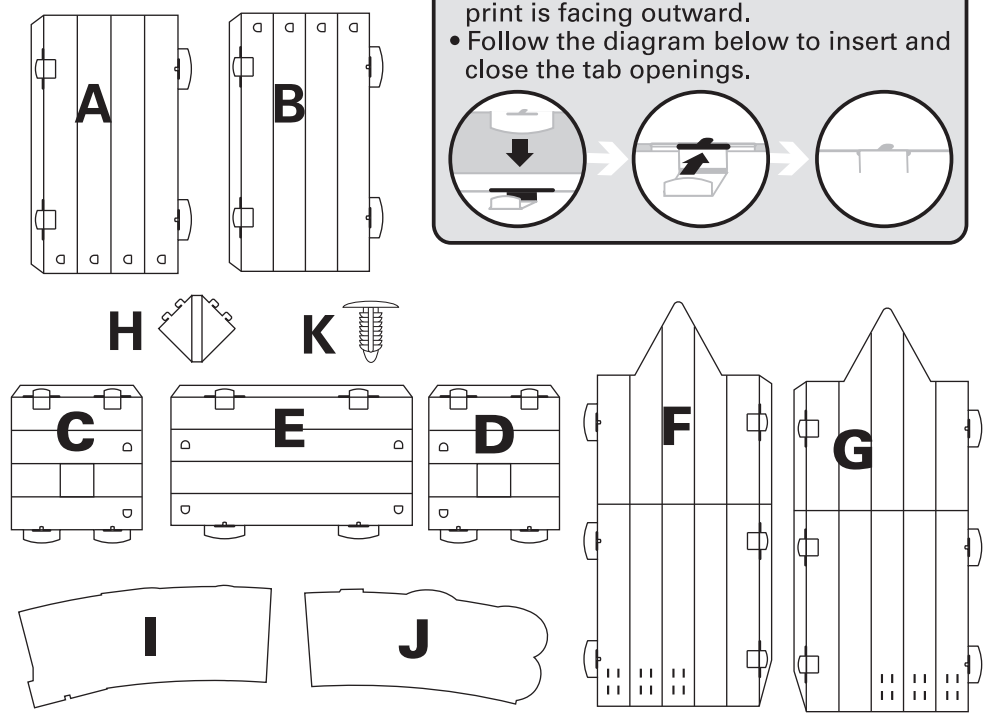
13688028 Elementary Graduation Arch Instructions

©2014 Oriental Trading Company, Inc.
 OrientalTrading.com (800)-228-2269

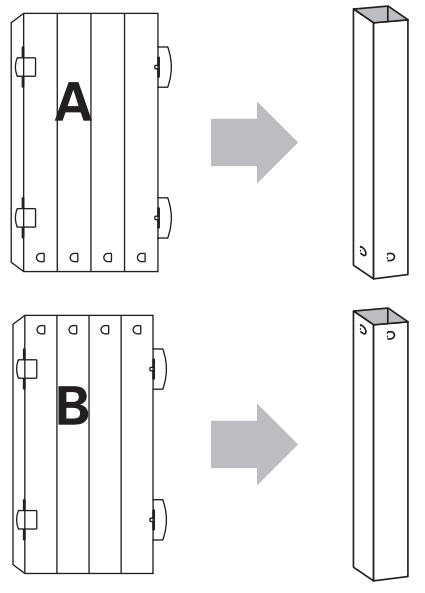
- COMPONENTS LIST**
 QTY. 2 A) LOWER POST
 QTY. 2 B) UPPER POST
 QTY. 1 C) LEFT CORNER BEAM
 QTY. 1 D) RIGHT CORNER BEAM
 QTY. 1 E) CROSS BEAM
 QTY. 1 F) RED PENCIL WRAP
 QTY. 1 G) BLUE PENCIL WRAP
 QTY. 6 H) PENCIL SUPPORTS
 QTY. 1 I) "ABC" TOPPER
 QTY. 1 J) "123" TOPPER
 QTY. 6 K) CLEAR PLASTIC PLUGS

- BEFORE YOU BEGIN ASSEMBLY:**
- Check that all materials are included in your kit.
 - Please read through the instructions before you begin assembly.
 - Make sure that your work area is spacious enough to assemble the item.
 - Assembly time should be about 30 minutes for two people.

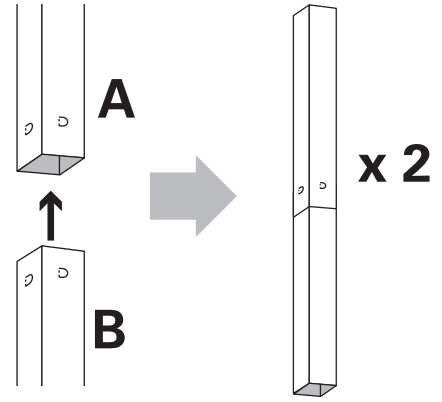
- HELPFUL TIPS:**
- When folding the pieces make sure the print is facing outward.
 - Follow the diagram below to insert and close the tab openings.
- 



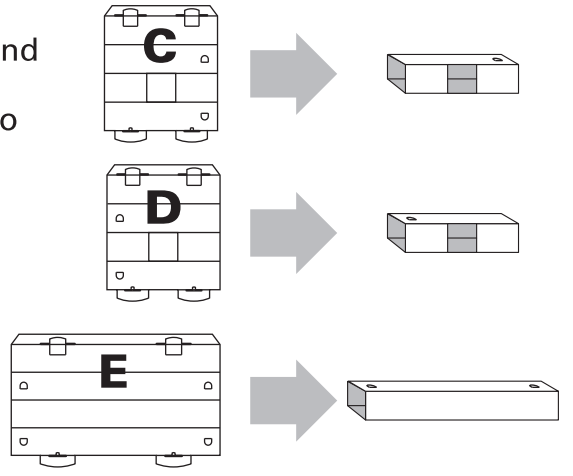
STEP 1:
 Fold pieces A and B along the score lines and form into a square tube. Secure the tabs.



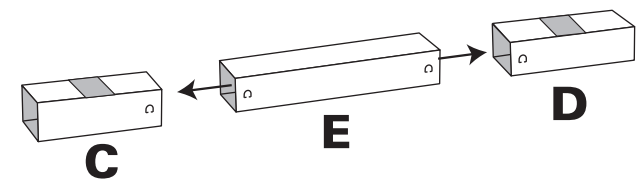
STEP 2:
 Insert B into the bottom of A and secure together with the side tabs to create two posts.



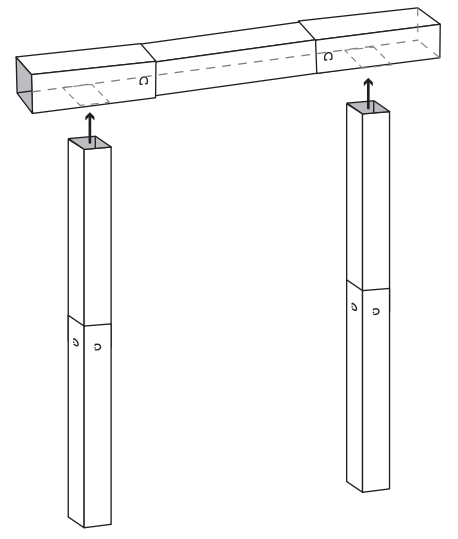
STEP 3:
 Fold pieces C, D and E along the score lines and form into a square tube. Secure the tabs.



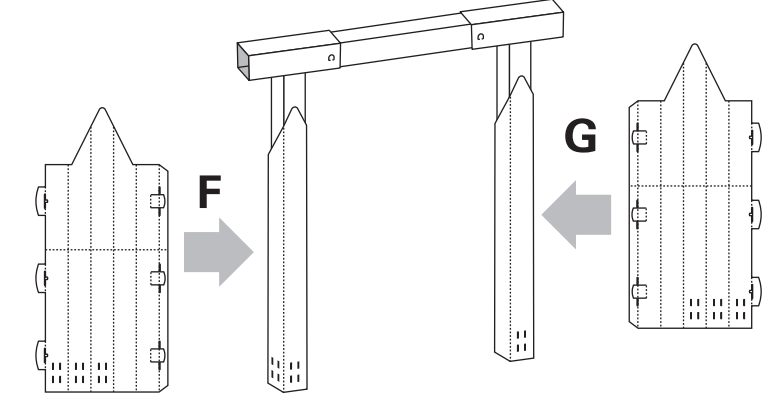
STEP 4:
 Insert E into the ends of C and D to create a beam as shown.



STEP 5:
 Insert the posts into the holes on the side of the assembled beam, to create the arch frame.

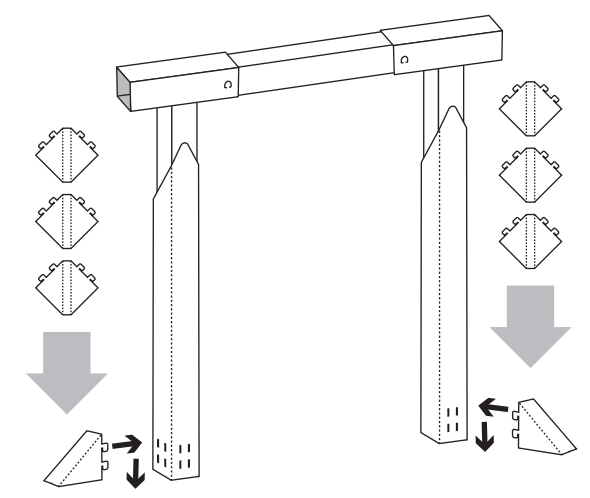


STEP 6:
 Fold F and G along the score lines. Wrap F around the left post and secure closed with the tabs. Repeat on the other post with G.



STEP 7:
 Fold H into a triangular shape. Attach H on the front, back and outsides of F and G for stability.

Insert the tabs on H into the slits on the base of F and G and slide downward to lock into place.



STEP 8:
 Attach I and J by pushing the plastic plugs through the cardboard into the beam.

Your Arch is finished!

Have fun with your arch!
 Use it as a display piece or as part of a scene.

WARNING!!!
 THIS STAND-UP IS NOT CAPABLE OF SUSTAINING HEAVY WEIGHTS.

