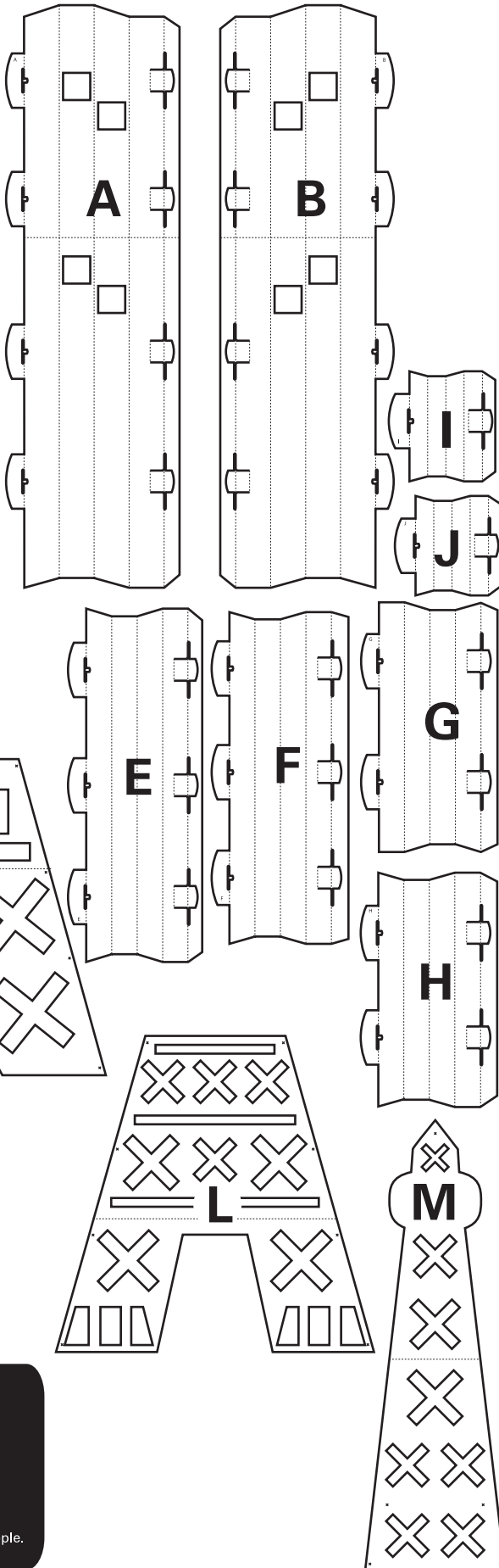


13613866 3D Eiffel Tower

©2013 Oriental Trading Company, Inc.
 OrientalTrading.com (800)-228-2269

COMPONENTS LIST

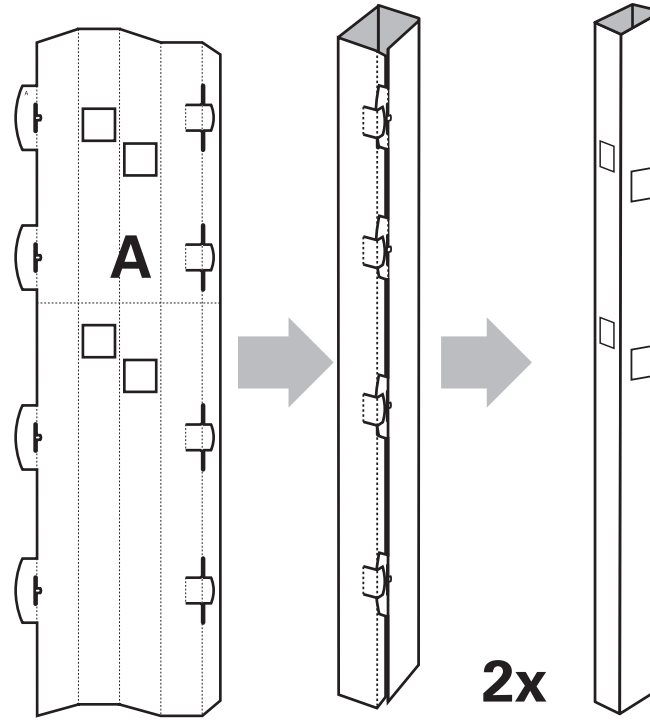
QTY. 2	A) RIGHT BOTTOM POST
QTY. 2	B) LEFT BOTTOM POST
QTY. 2	C) RIGHT TOP POST
QTY. 2	D) LEFT TOP POST
QTY. 2	E) LOWER BOTTOM CROSS BEAM
QTY. 2	F) UPPER BOTTOM CROSS BEAM
QTY. 2	G) LOWER MIDDLE CROSS BEAM
QTY. 2	H) UPPER MIDDLE CROSS BEAM
QTY. 2	I) LOWER TOP CROSS BEAM
QTY. 2	J) UPPER TOP CROSS BEAM
QTY. 4	K) BOTTOM PANEL
QTY. 4	L) MIDDLE PANEL
QTY. 2	M) TOP PANEL
QTY. 2	N) SIDE PANEL
QTY. 95	O) PLASTIC PLUG



STEP 1:

Fold a Right Bottom Post (A) along the score lines to form a box shape with the printed side facing out. Fasten the box shape securely by inserting the large and small tabs into the slot openings.

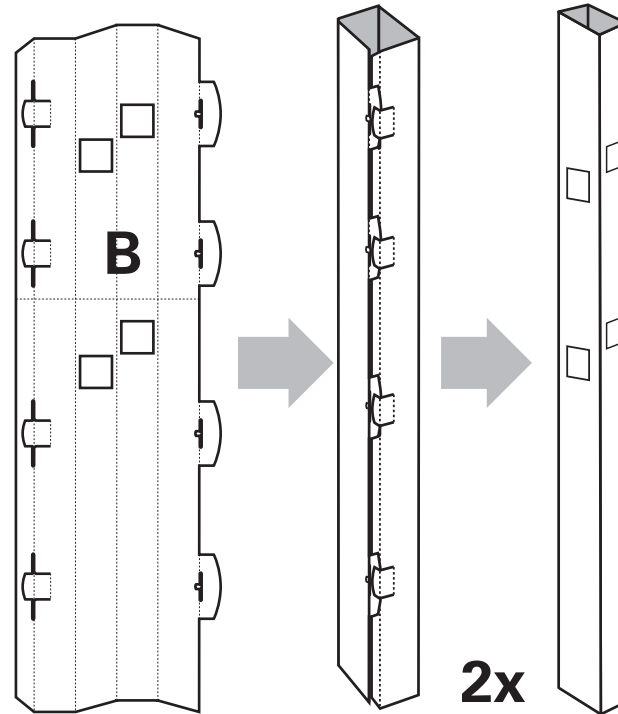
Repeat Step 1 to make a total of two Right Bottom Post pieces.



STEP 2:

Fold a Left Bottom Post (B) along the score lines to form a box shape with the printed side facing out. Fasten the box shape securely by inserting the large and small tabs into the slot openings.

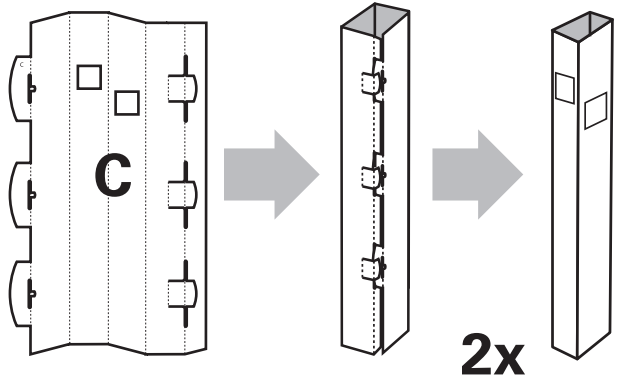
Repeat Step 2 to make a total of two Left Bottom Post pieces.



STEP 3:

Fold a Right Top Post (C) along the score lines to form a box shape with the printed side facing out. Fasten the box shape securely by inserting the large and small tabs into the slot openings.

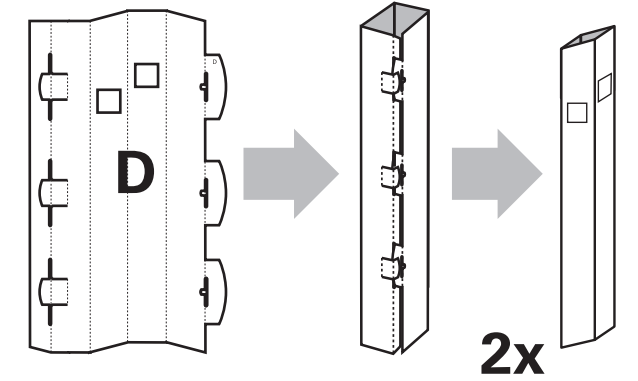
Repeat Step 3 to make a total of two Right Top Post pieces.



STEP 4:

Fold a Left Top Post (D) along the score lines to form a box shape with the printed side facing out. Fasten the box shape securely by inserting the large and small tabs into the slot openings.

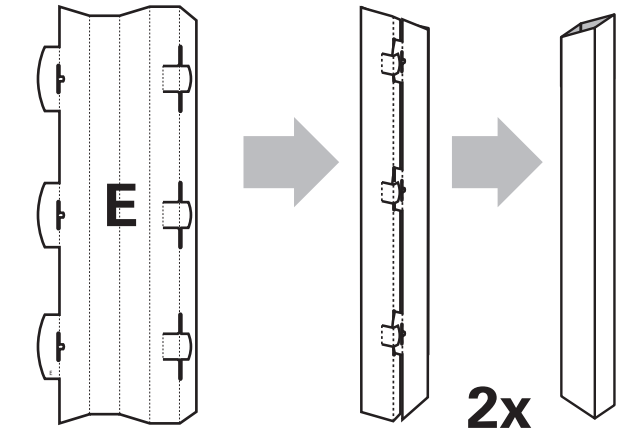
Repeat Step 4 to make a total of two Left Top Post pieces.



STEP 5:

Fold a Lower Bottom Cross Beam (E) along the score lines to form a box shape with the printed side facing out. Fasten the box shape securely by inserting the large and small tabs into the slot openings.

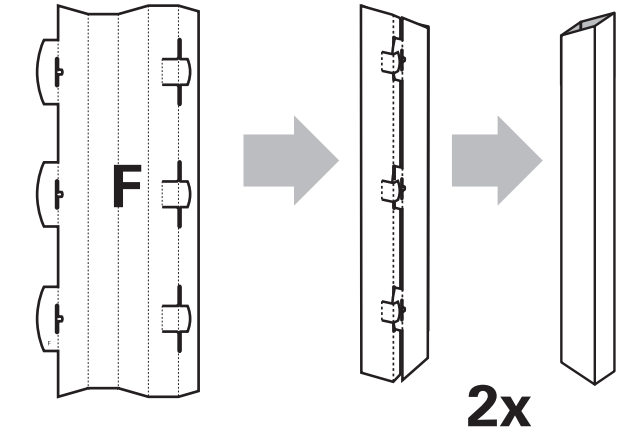
Repeat Step 5 to make a total of two Lower Bottom Cross Beam pieces.



STEP 6:

Fold a Upper Bottom Cross Beam (F) along the score lines to form a box shape with the printed side facing out. Fasten the box shape securely by inserting the large and small tabs into the slot openings.

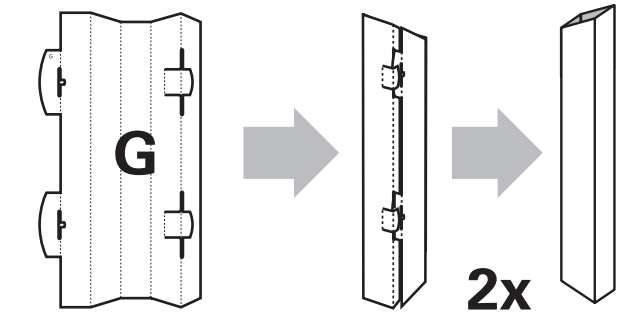
Repeat Step 6 to make a total of two Upper Bottom Cross Beam pieces.



STEP 7:

Fold a Lower Middle Cross Beam (G) along the score lines to form a box shape with the printed side facing out. Fasten the box shape securely by inserting the large and small tabs into the slot openings.

Repeat Step 7 to make a total of two Lower Middle Cross Beam pieces.



BEFORE YOU BEGIN ASSEMBLY:

- Check that all materials are included in your kit.
- Please read through the instructions before you begin assembly.
- Make sure that your work area is spacious enough to assemble the 3D Eiffel Tower.
- It is best to assemble the 3D Eiffel Tower in the area you want it located in.
- Assembly time should be about 3.5 hours for 2-3 people.

13613866 3D Eiffel Tower

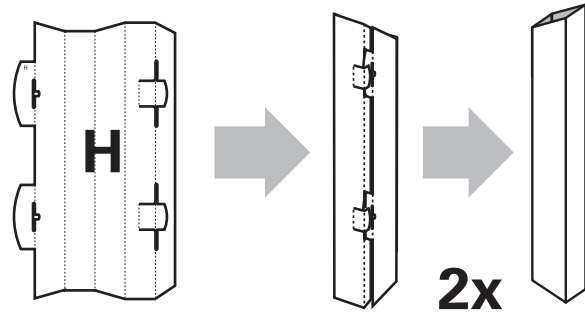
©2013 Oriental Trading Company, Inc.

OrientalTrading.com (800)-228-2269

STEP 8:

Fold a Upper Middle Cross Beam (H) along the score lines to form a box shape with the printed side facing out. Fasten the box shape securely by inserting the large and small tabs into the slot openings.

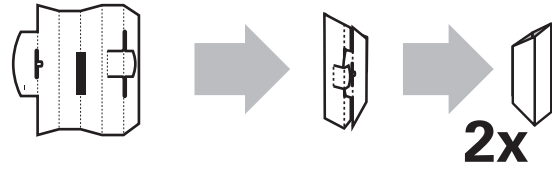
Repeat Step 8 to make a total of two Upper Middle Cross Beam pieces.



STEP 9:

Fold a Lower Top Cross Beam (I) along the score lines to form a box shape with the printed side facing out. Fasten the box shape securely by inserting the large and small tabs into the slot openings.

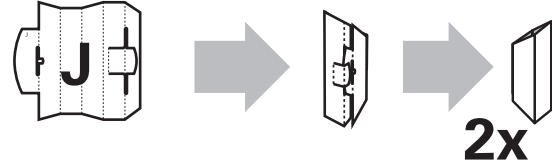
Repeat Step 9 to make a total of two Lower Top Cross Beam pieces.



STEP 10:

Fold a Upper Top Cross Beam (J) along the score lines to form a box shape with the printed side facing out. Fasten the box shape securely by inserting the large and small tabs into the slot openings.

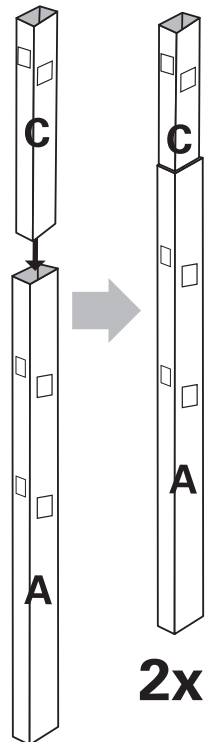
Repeat Step 10 to make a total of two Upper Top Cross Beam pieces.



STEP 11:

Insert the assembled Right Top Post (C) into the top of the assembled Right Bottom Post (A). Make sure the angled ends are at the same position and the square openings are on the same sides on both the Right Top Post (C) and the Right Bottom Post (A). The Right Top Post (C) should slide down to the top square opening on the Right Bottom Post (A).

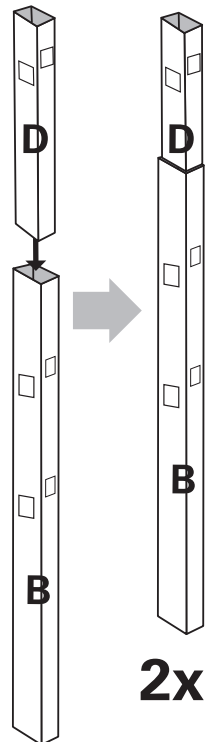
Repeat Step 11 to make a total of two assembled Right Side Posts pieces.



STEP 12:

Insert the assembled Left Top Post (D) into the top of the assembled Left Bottom Post (B). Make sure the angled ends are at the same position and the square openings are on the same sides on both the Left Top Post (D) and the Left Bottom Post (B). The Left Top Post (D) should slide down to the top square opening on the Left Bottom Post (B).

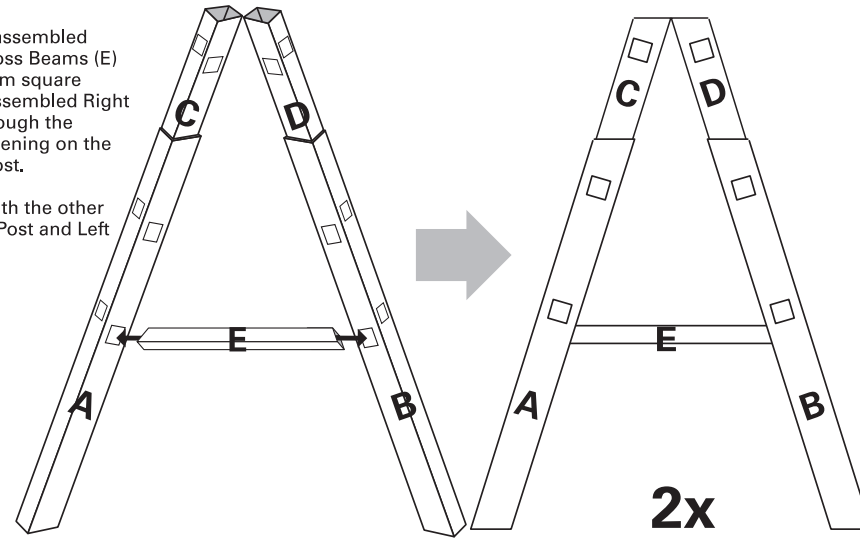
Repeat Step 12 to make a total of two assembled Left Side Posts pieces.



STEP 13:

Insert one of the assembled Lower Bottom Cross Beams (E) through the bottom square opening on the assembled Right Post and then through the bottom square opening on the assembled Left Post.

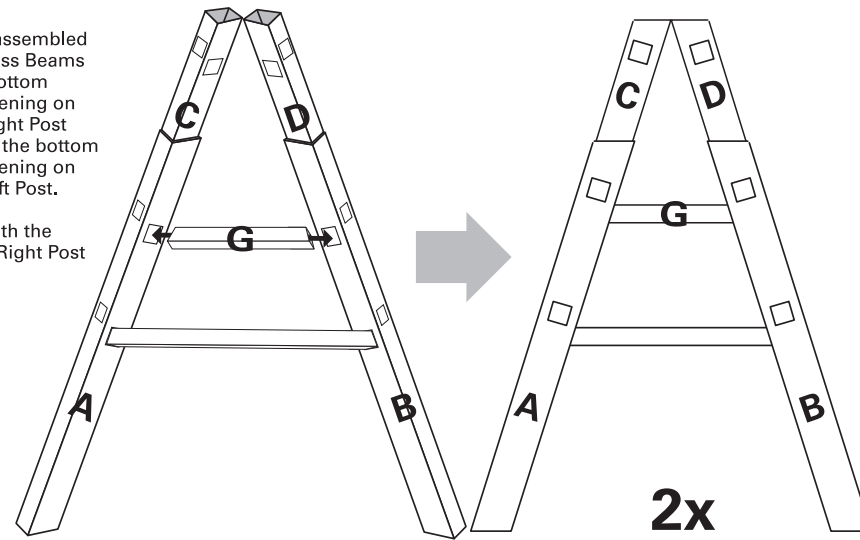
Repeat Step 13 with the other assembled Right Post and Left Posts.



STEP 14:

Insert one of the assembled Lower Middle Cross Beams (G) through the bottom middle square opening on the assembled Right Post and then through the bottom middle square opening on the assembled Left Post.

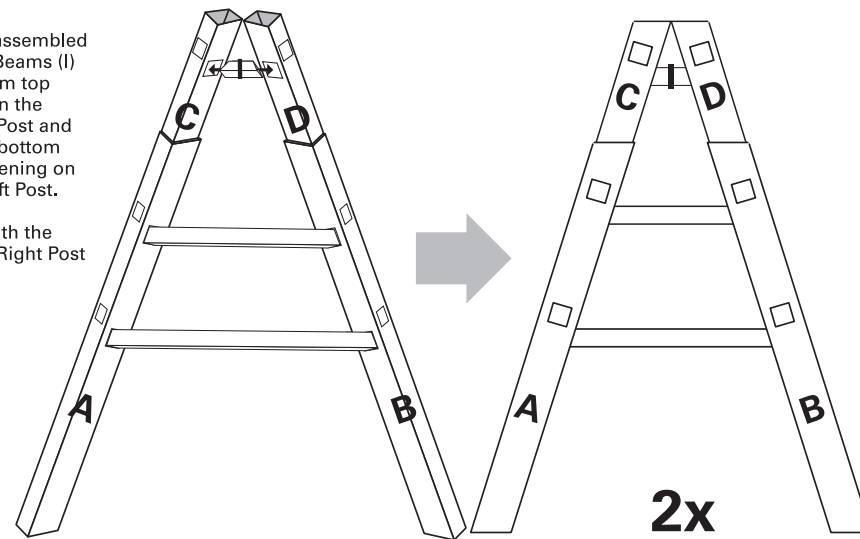
Repeat Step 14 with the other assembled Right Post and Left Posts.



STEP 15:

Insert one of the assembled Lower Top Cross Beams (I) through the bottom top square opening on the assembled Right Post and then through the bottom middle square opening on the assembled Left Post.

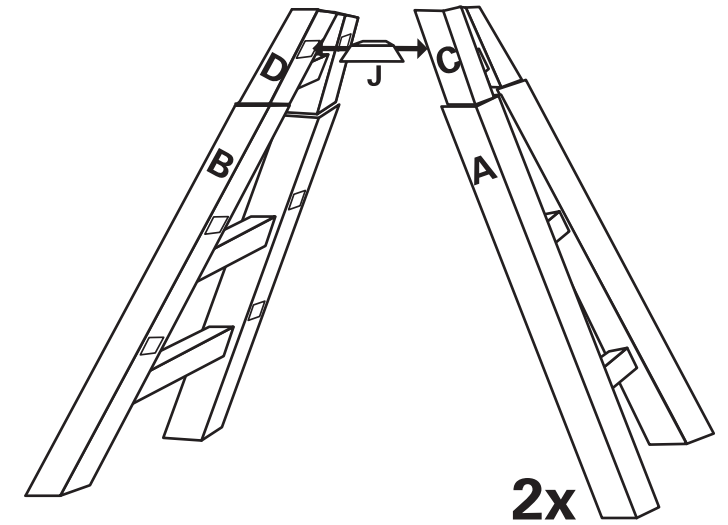
Repeat Step 15 with the other assembled Right Post and Left Posts.



STEP 16:

Insert one of the assembled Upper Top Cross Beams (J) through the top square opening on the assembled Right Post and then through the top square opening on the assembled Left Post.

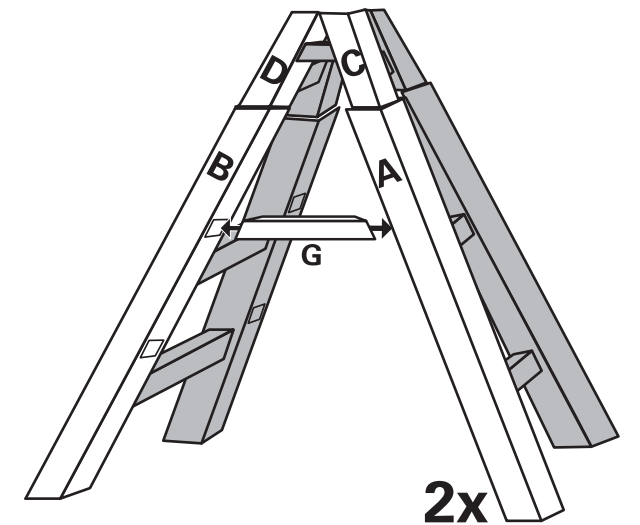
Repeat Step 16 with the other assembled Right Post and Left Posts.



STEP 17:

Insert one of the assembled Lower Middle Cross Beams (G) through the top middle square opening on the assembled Right Post and then through the top middle square opening on the assembled Left Post.

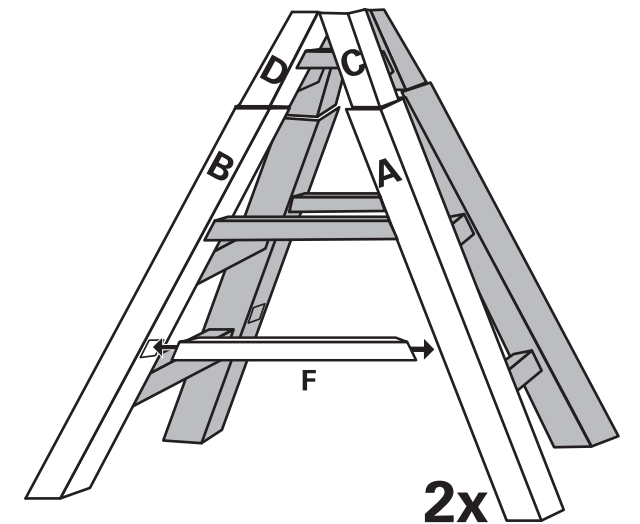
Repeat Step 17 with the other assembled Right Post and Left Posts.



STEP 18:

Insert one of the assembled Upper Bottom Cross Beams (F) through the top bottom square opening on the assembled Right Post and then through the top middle square opening on the assembled Left Post.

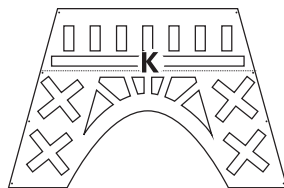
Repeat Step 18 with the other assembled Right Post and Left Posts.



13613866 3D Eiffel Tower

©2013 Oriental Trading Company, Inc.

OrientalTrading.com (800)-228-2269



STEP 19:

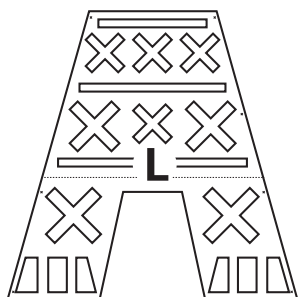
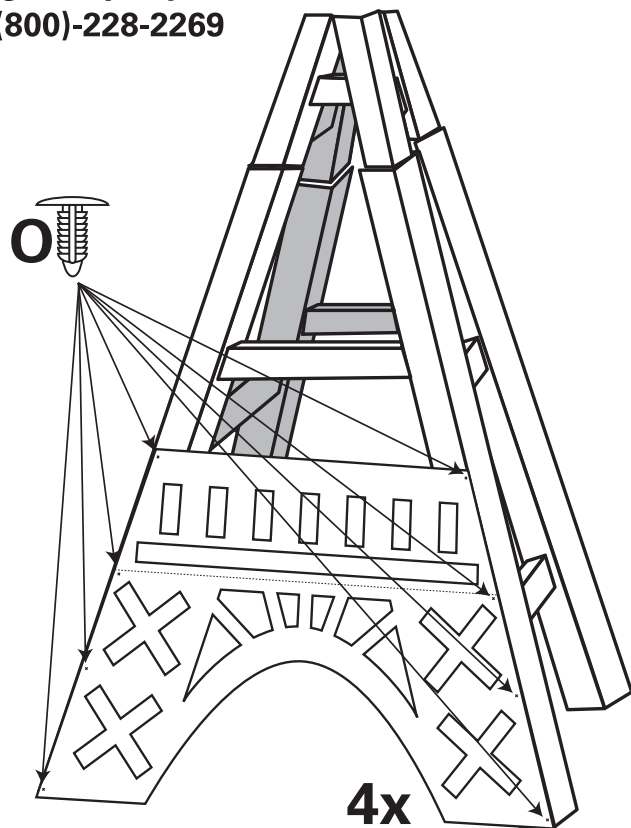
Attach the Bottom Panel (K) securely by firmly pushing the Plastic Plugs (O) through the pilot holes on the Bottom Panel (K) and then into the frame of the Eiffel Tower.

The black X's indicate locations to use the Plastic Plugs (O).

Repeat Step 19 on the other three sides of the Eiffel Tower frame.

HELPFUL HINT:

You may want to pre-poke a hole using a pencil on the frame of Eiffel Tower.



STEP 20:

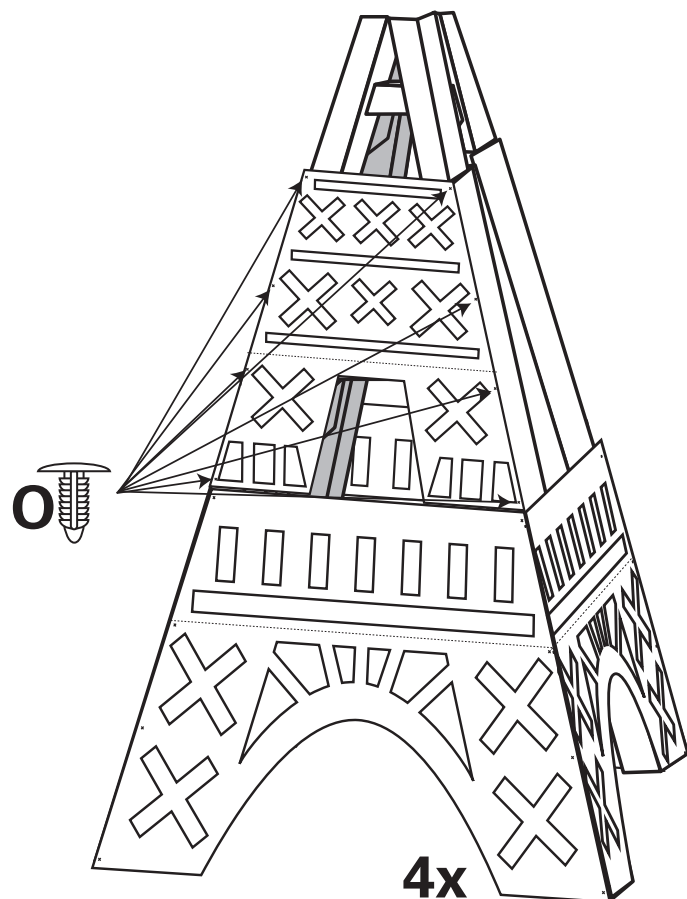
Attach the Middle Panel (L) securely by firmly pushing the Plastic Plugs (O) through the pilot holes on the Middle Panel (L) and then into the frame of the Eiffel Tower.

The black X's indicate locations to use the Plastic Plugs (O).

Repeat Step 20 on the other three sides of the Eiffel Tower frame.

HELPFUL HINT:

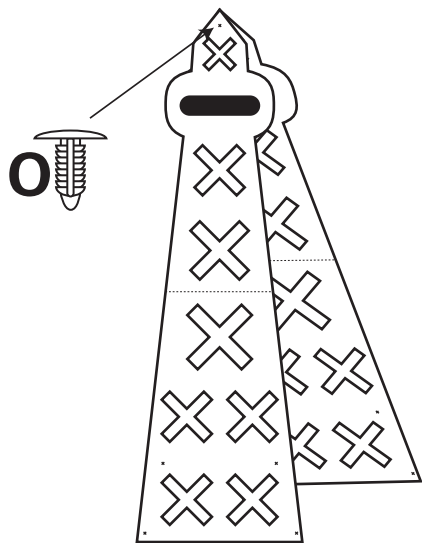
You may want to pre-poke a hole using a pencil on the frame of Eiffel Tower.



STEP 21:

Attach the two Top Panels (M) securely together by firmly pushing the Plastic Plugs (O) through the pilot holes on the top peak on the front of one of the Top Panels (M), then through the backside of the second Top Panel (M) through the pilot hole at the peak.

The black X's indicate locations to use the Plastic Plugs (O).



STEP 22:

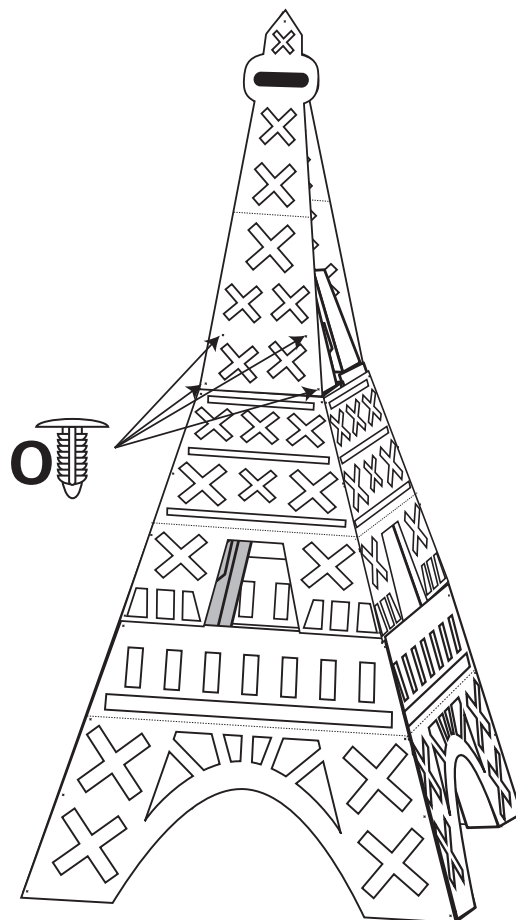
Attach the assembled Top Panel (M) securely by firmly pushing the Plastic Plugs (O) through the pilot holes on the Top Panel (M) and then into the frame of the Eiffel Tower.

The black X's indicate locations to use the Plastic Plugs (O).

Repeat Step 22 on the opposite side of the Eiffel Tower frame.

HELPFUL HINT:

You may want to pre-poke a hole using a pencil on the frame of Eiffel Tower.



STEP 23:

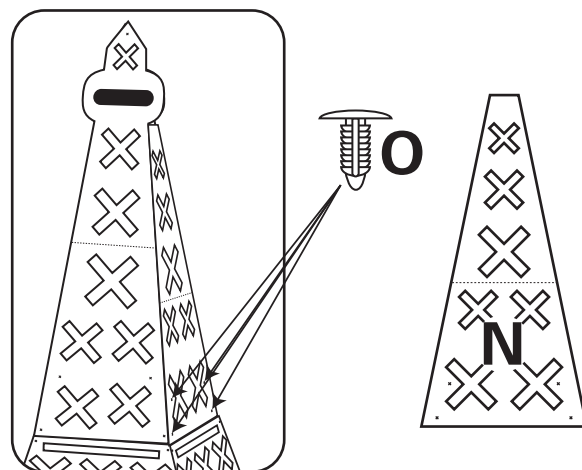
Attach the Side Panel (N) securely by firmly pushing the Plastic Plugs (O) through the pilot holes on the Side Panel (N) and then into the frame of the Eiffel Tower.

The black X's indicate locations to use the Plastic Plugs (O).

Repeat Step 23 on the opposite side of the Eiffel Tower frame.

HELPFUL HINT:

You may want to pre-poke a hole using a pencil on the frame of Eiffel Tower.



Your Eiffel Tower is Finished!

Have fun with your new Eiffel Tower! Use it as a display piece or as part of a scene.

Line your Eiffel Tower with lights to make it glow, or shine a spot light on it to make it stand out!

WARNING!!!
THE EIFFEL TOWER IS NOT CAPABLE OF SUSTAINING HEAVY WEIGHTS.

